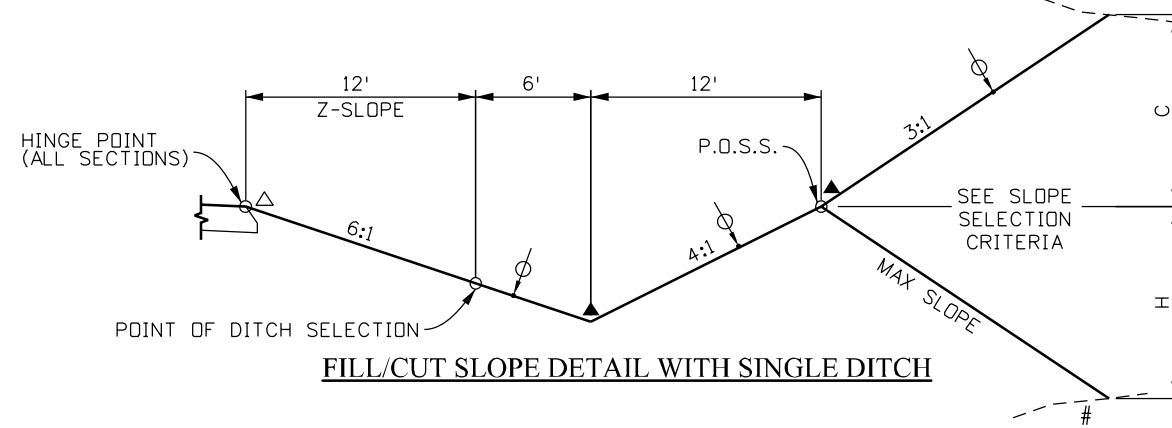
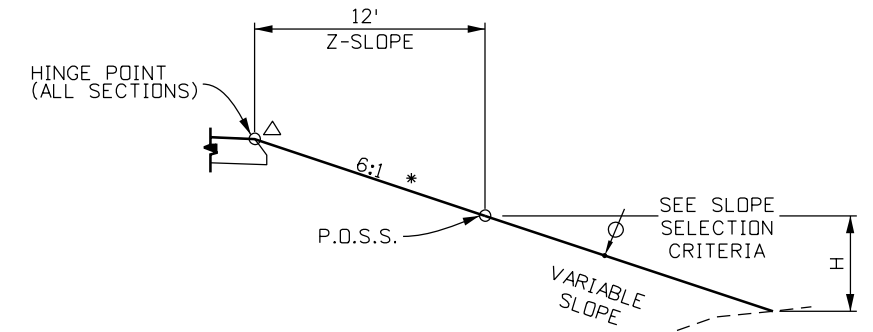


TYPICAL SECTION NOTES

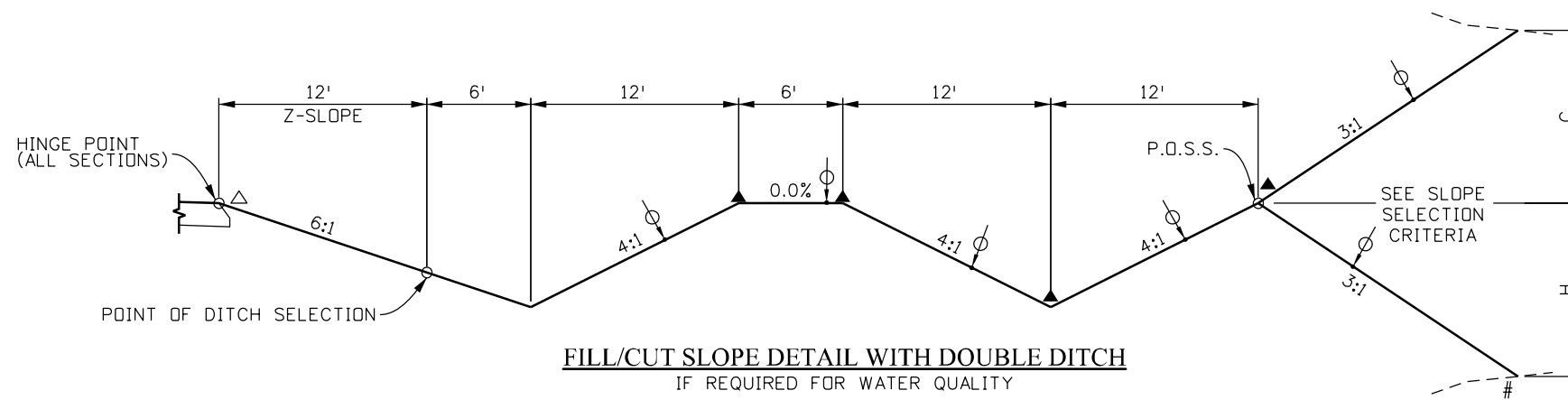
1. ○ P.G.L. -PROFILE GRADE LINE
2. ○ P.O.S.S. -POINT OF SLOPE SELECTION
3. △ H.P. -HINGE POINT
4. Ⓞ THE CONTRACTOR WILL BE REQUIRED TO PLACE 4 INCHES OF TOPSOIL TO THIS LINE AFTER COMPLETION OF PAVING OPERATION.
5. ▲ BREAKPOINTS IN SLOPES AND IN BOTTOMS OF DITCHES SHALL BE ROUNDED DURING CONSTRUCTION FOR A PLEASING APPEARANCE.
6. ▽ ROADWAY CROSS SLOPE. FOR SPECIFIC CROSS SLOPES AND SUPERELEVATION LIMITS SEE PROFILE SHEETS.
7. * THE CONTRACTOR SHALL PLACE ABC (SPECIAL) TO THIS LINE AFTER COMPLETION OF PAVING OPERATIONS.
8. □ SEE ROADWAY PLANS FOR SPECIFIC WIDTHS AND LOCATION OF TAPERS.
9. # DEPTH OF SCARIFICATION AND MOISTURE - DENSITY CONTROL AT BASES OF CUTS AND FILLS SHALL BE 12 INCHES. SEE SPECIFICATIONS.
10. △ SAFETY EDGE DETAIL.



FILL/CUT SLOPE DETAIL WITH SINGLE DITCH



FILL/CUT SLOPE DETAIL WITHOUT DITCH



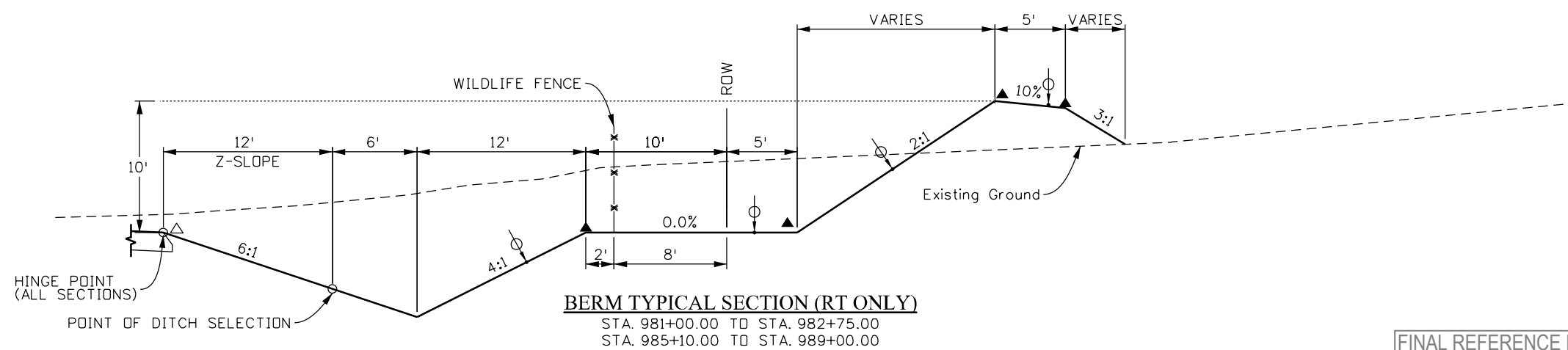
FILL/CUT SLOPE DETAIL WITH DOUBLE DITCH
IF REQUIRED FOR WATER QUALITY

SLOPE SELECTION
(TYPICAL FOR ALL US 550)

CUT SLOPE
3:1

HEIGHT OF FILL
H = 0 - 2'
2' - 14.5'
14.5' <

SLOPE
Z-SLOPE THEN, 6:1
Z-SLOPE THEN, 4:1
Z-SLOPE THEN, 3:1



BERM TYPICAL SECTION (RT ONLY)
STA. 981+00.00 TO STA. 982+75.00
STA. 985+10.00 TO STA. 989+00.00

FINAL REFERENCE DESIGN PLANS
JUNE 10, 2019

Print Date: 2/27/2019
File Name: 22420DES_Typicals.dgn
Horiz. Scale: 1:10 Vert. Scale: As Noted

Sheet Revisions		
Date:	Comments	Init.

Colorado Department of Transportation
Region 5
3803 North Main Avenue
Durango, CO 81301
Phone: 970-385-1440 FAX: 970-385-8365
DRV

As Constructed
No Revisions:
Revised:
Void:

TYPICAL SECTIONS - US 550

Designer: SDB
Detailer: REW
Structure Numbers
Sheet Subset: TYPICALS
Subset Sheets: 1 of 7

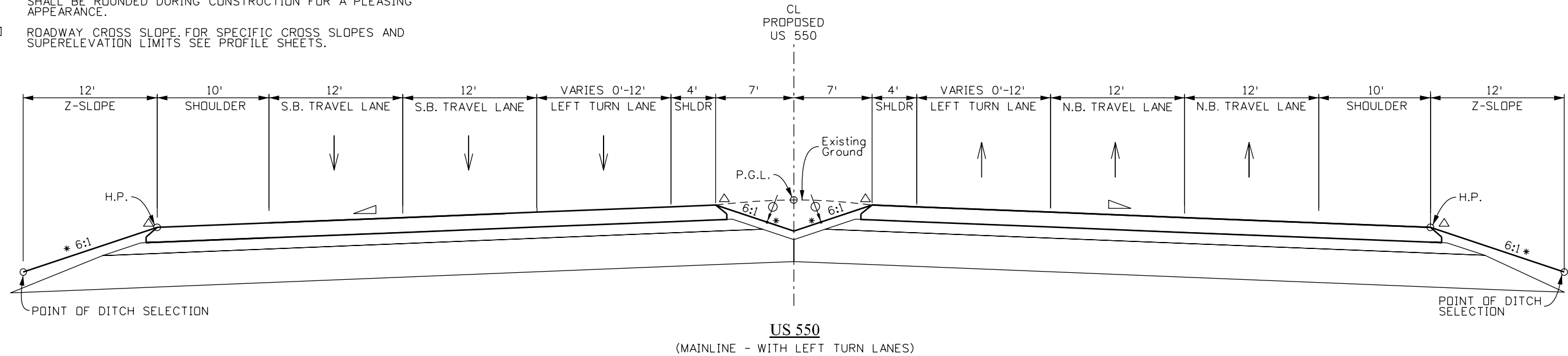
Project No./Code
NHPP 5501-029
22420
Sheet Number 2



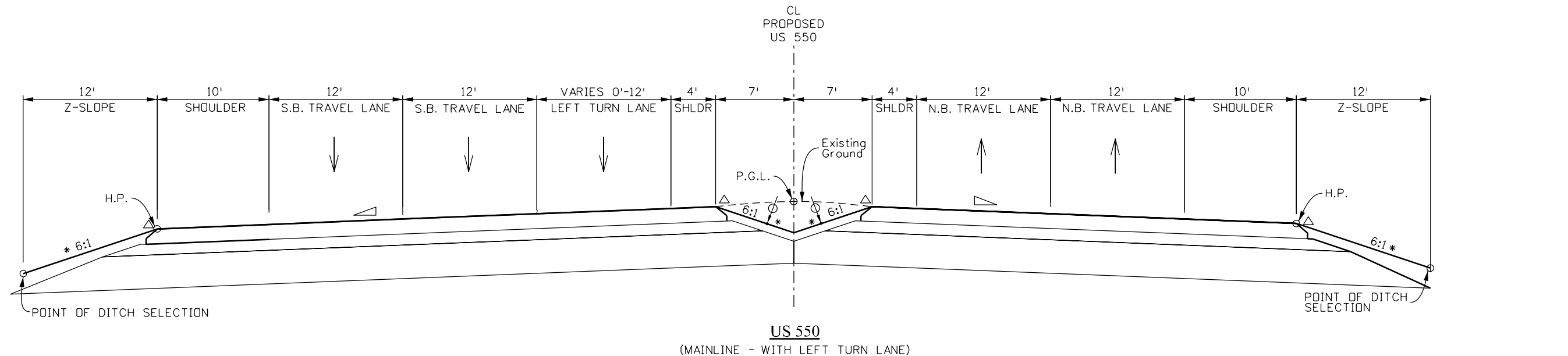
C:\junlun 6:38:01 PM P:\2018 Projects\18-018.01 US 550 S Connection D-B - CDDT R-5\22420\Design Drawings\22420DES_Typicals.dgn

TYPICAL SECTION NOTES

- 1. ○ P.G.L. -PROFILE GRADE LINE
- 2. ○ P.D.S.S. -POINT OF SLOPE SELECTION
- 3. H.P. -HINGE POINT
- 4. ⚡ THE CONTRACTOR WILL BE REQUIRED TO PLACE 4 INCHES OF TOPSOIL TO THIS LINE AFTER COMPLETION OF PAVING OPERATION.
- 5. ▲ BREAKPOINTS IN SLOPES AND IN BOTTOMS OF DITCHES SHALL BE ROUNDED DURING CONSTRUCTION FOR A PLEASING APPEARANCE.
- 6. ▽ ROADWAY CROSS SLOPE FOR SPECIFIC CROSS SLOPES AND SUPERELEVATION LIMITS SEE PROFILE SHEETS.
- 7. * THE CONTRACTOR SHALL PLACE ABC (SPECIAL) TO THIS LINE AFTER COMPLETION OF PAVING OPERATIONS.
- 8. □ SEE ROADWAY PLANS FOR SPECIFIC WIDTHS AND LOCATION OF TAPERS.
- 9. # DEPTH OF SCARIFICATION AND MOISTURE - DENSITY CONTROL AT BASES OF CUTS AND FILLS SHALL BE 12 INCHES. SEE SPECIFICATIONS.
- 10. △ SAFETY EDGE DETAIL.



US 550
(MAINLINE - WITH LEFT TURN LANES)



US 550
(MAINLINE - WITH LEFT TURN LANE)

FINAL REFERENCE DESIGN PLANS
JUNE 10, 2019

C:\junlun 6:38:02 PM 2/27/2018 Projects\18-018.01 US 550 S Connection D-B - CDDT R-5\22420\Design\Drawings\22420DES_Typicals.dgn

Print Date: 2/27/2019
 File Name: 22420DES_Typicals.dgn
 Horiz. Scale: 1:10 Vert. Scale: As Noted

Sheet Revisions		
Date:	Comments	Init.



Colorado Department of Transportation
 3803 North Main Avenue
 Durango, CO 81301
 Phone: 970-385-1440 FAX: 970-385-8365
 Region 5 DRV

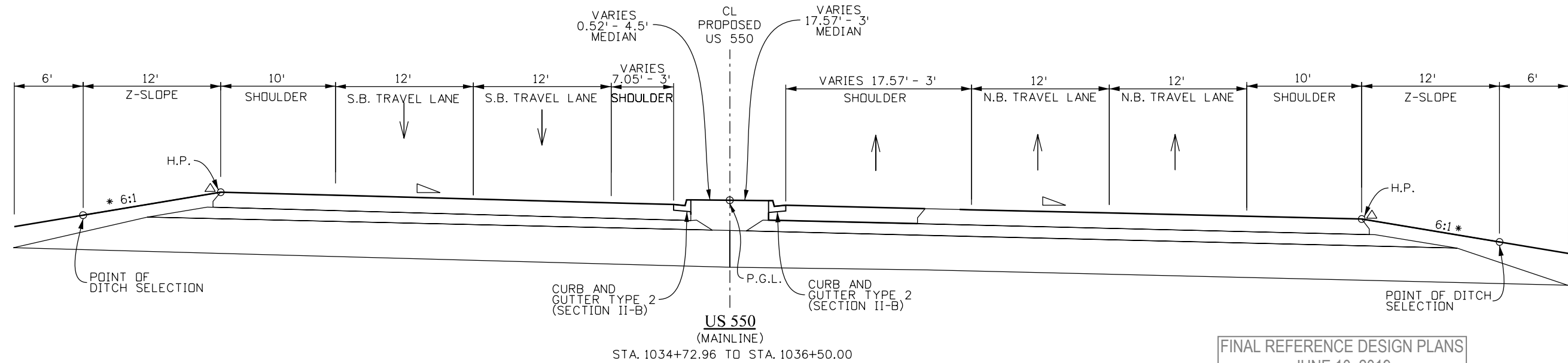
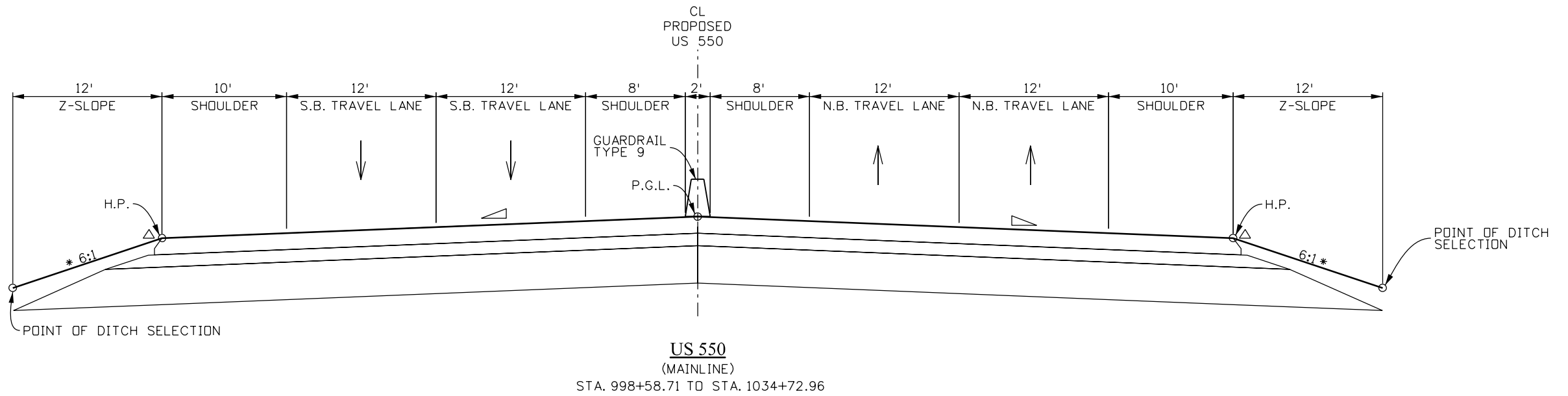
As Constructed
No Revisions:
Revised:
Void:

TYPICAL SECTIONS - US 550			
Designer:	SDB	Structure	
Detailer:	REW	Numbers	
Sheet Subset:	TYPICALS	Subset Sheets:	2 of 7

Project No./Code
NHPP 5501-029
22420
Sheet Number 3

TYPICAL SECTION NOTES

- 1. ○ P.G.L. -PROFILE GRADE LINE
- 2. ○ P.O.S.S. -POINT OF SLOPE SELECTION
- 3. H.P. -HINGE POINT
- 4.  THE CONTRACTOR WILL BE REQUIRED TO PLACE 4 INCHES OF TOPSOIL TO THIS LINE AFTER COMPLETION OF PAVING OPERATION.
- 5. ▲ BREAKPOINTS IN SLOPES AND IN BOTTOMS OF DITCHES SHALL BE ROUNDED DURING CONSTRUCTION FOR A PLEASING APPEARANCE.
- 6.  ROADWAY CROSS SLOPE FOR SPECIFIC CROSS SLOPES AND SUPERELEVATION LIMITS SEE PROFILE SHEETS.
- 7. * THE CONTRACTOR SHALL PLACE ABC (SPECIAL) TO THIS LINE AFTER COMPLETION OF PAVING OPERATIONS.
- 8. □ SEE ROADWAY PLANS FOR SPECIFIC WIDTHS AND LOCATION OF TAPERS.
- 9. # DEPTH OF SCARIFICATION AND MOISTURE - DENSITY CONTROL AT BASES OF CUTS AND FILLS SHALL BE 12 INCHES. SEE SPECIFICATIONS.
- 10. △ SAFETY EDGE DETAIL.




FINAL REFERENCE DESIGN PLANS
JUNE 10, 2019

C:\jun18\2018\Projects\18-018.01 US 550 S Connection D-B - CDDT R-5\22420\Design\Drawings\22420DES_Typicals.dgn

Print Date: 2/27/2019
File Name: 22420DES_Typicals.dgn
Horiz. Scale: 1:10 Vert. Scale: As Noted



Sheet Revisions		
Date:	Comments	Init.

Colorado Department of Transportation
 3803 North Main Avenue
 Durango, CO 81301
 Phone: 970-385-1440 FAX: 970-385-8365
 Region 5 DRV


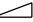

As Constructed
 No Revisions:
 Revised:
 Void:

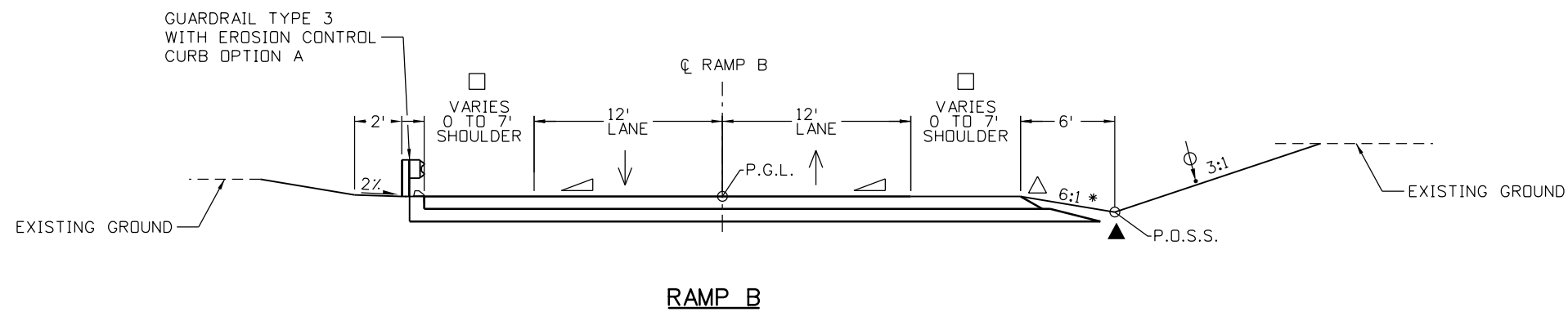
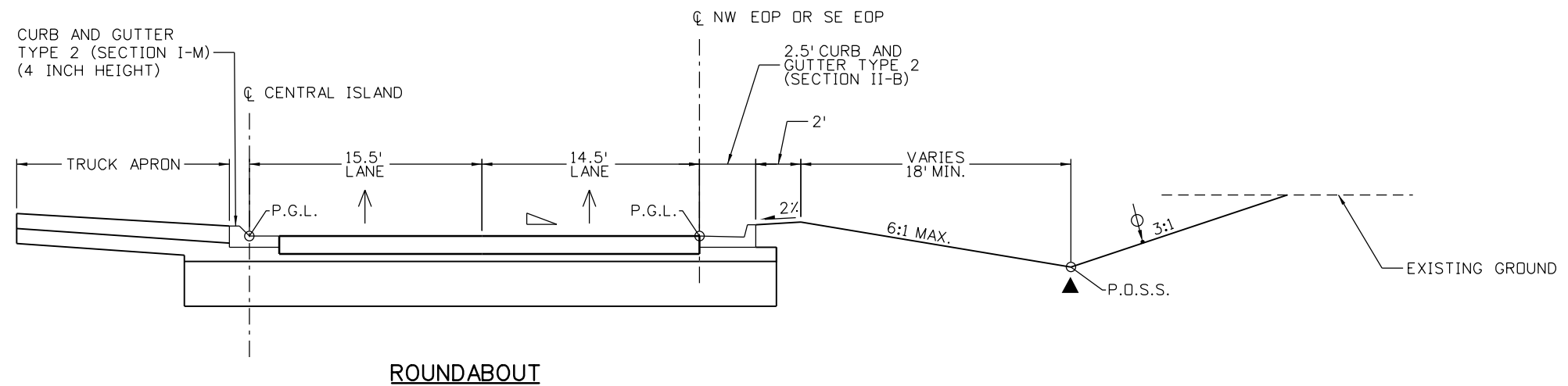
TYPICAL SECTIONS - US 550

Designer: SDB Structure Numbers
 Detailer: REW
 Sheet Subset: TYPICALS Subset Sheets: 4 of 7

Project No./Code
 NHPP 5501-029
 22420
 Sheet Number 5

TYPICAL SECTION NOTES

- 1. ○ P.G.L. -PROFILE GRADE LINE
- 2. ○ P.D.S.S. -POINT OF SLOPE SELECTION
- 3. H.P. -HINGE POINT
- 4.  THE CONTRACTOR SHALL PLACE 4 INCHES OF TOPSOIL TO THIS LINE AFTER COMPLETION OF PAVING OPERATIONS.
- 5. ▲ BREAKPOINTS IN SLOPES AND IN BOTTOMS OF DITCHES SHALL BE ROUNDED DURING CONSTRUCTION FOR A PLEASING APPEARANCE
- 6.  ROADWAY CROSS SLOPE. FOR SPECIFIC CROSS SLOPES AND SUPERELEVATION LIMITS SEE PROFILE SHEETS
- 7. * THE CONTRACTOR SHALL PLACE ABC (SPECIAL) TO THIS LINE AFTER COMPLETION OF PAVING OPERATIONS
- 8. □ SEE ROADWAY PLANS FOR SPECIFIC WIDTHS AND LOCATION OF TAPERS
- 9. # DEPTH OF SCARIFICATION AND MOISTURE DENSITY CONTROL AT BASES OF CUTS AND FILLS SHALL BE 12 INCHES. SEE SPECIFICATIONS.
- 10.  SAFETY EDGE DETAIL



FINAL REFERENCE DESIGN PLANS
JUNE 10, 2019

Print Date: 2/27/2019
File Name: 22420DES_Typicals01.dgn
Horiz. Scale: 1:10 Vert. Scale: As Noted

Sheet Revisions		
Date:	Comments	Init.

Colorado Department of Transportation
 3803 North Main Avenue
 Durango, CO 81301
 Phone: 970-385-1440 FAX: 970-385-8365
 Region 5 DRV

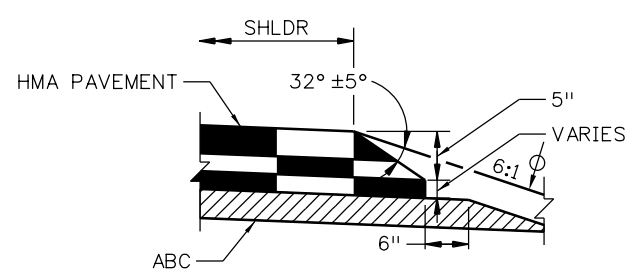
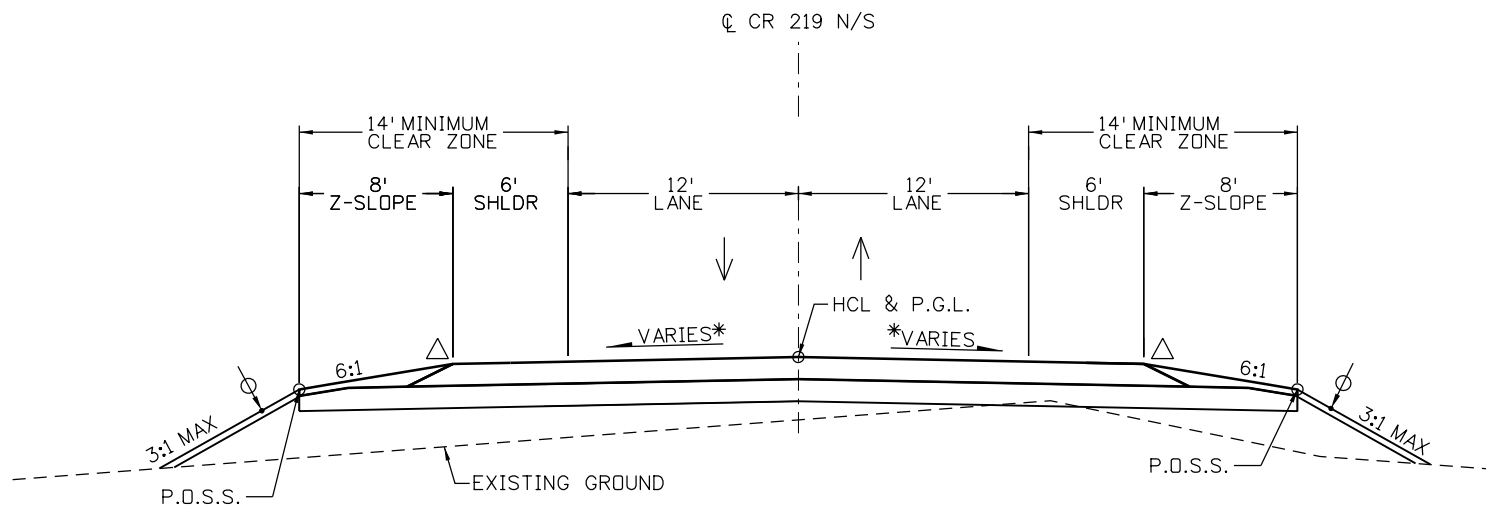
As Constructed
No Revisions:
Revised:
Void:

TYPICAL SECTIONS ROUNDABOUT AND RAMP B			
Designer:	JJW	Structure Numbers	
Detailer:	FAM	Subset Sheets:	5 of 7
Sheet Subset:	TYPICALS		

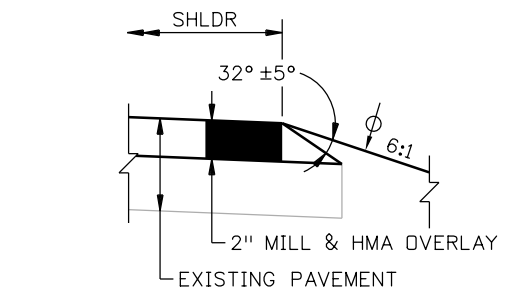
Project No./Code
NHPP 5501-029
22420
Sheet Number 6



david.schwantes 2:24:23 PM P:\Project\Transportation\CDOT R5\2013 CDDT R5 US 550 SE15 Alternatives\9.0 CADD\FIR\9.2 Design\Drawings\22420DES_Typicals01.dgn

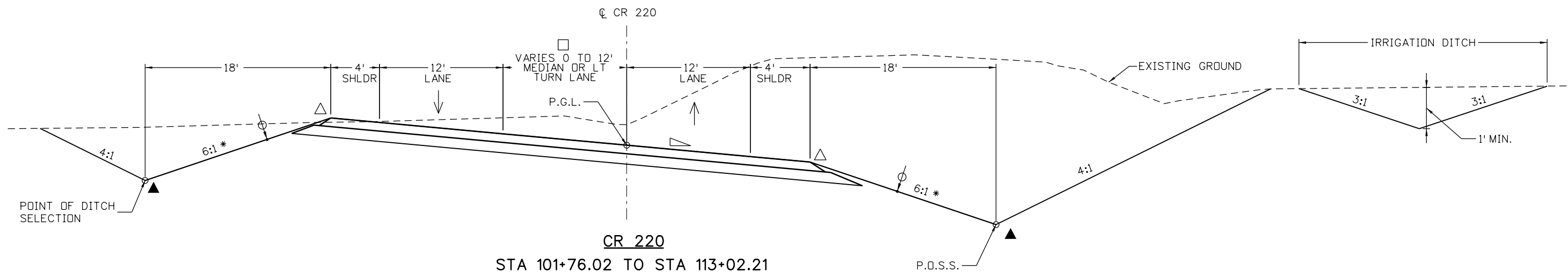


SAFETY EDGE DETAIL
PAVEMENT THICKNESS GREATER THAN 5"
 N.T.S.



SAFETY EDGE DETAIL
PAVEMENT THICKNESS LESS THAN 5"
 N.T.S.

COUNTY ROAD
 CR 219 N
 CR 219 S



CR 220
 STA 101+76.02 TO STA 113+02.21

TYPICAL SECTION NOTES

- 1. ○ P.G.L. -PROFILE GRADE LINE
- 2. ○ P.O.S.S. -POINT OF SLOPE SELECTION
- 3. H.P. -HINGE POINT
- 4. ⚙ THE CONTRACTOR SHALL PLACE 4 INCHES OF TOPSOIL TO THIS LINE AFTER COMPLETION OF PAVING OPERATIONS.
- 5. ▲ BREAKPOINTS IN SLOPES AND IN BOTTOMS OF DITCHES SHALL BE ROUNDED DURING CONSTRUCTION FOR A PLEASING APPEARANCE
- 6. ▽ ROADWAY CROSS SLOPE. FOR SPECIFIC CROSS SLOPES AND SUPERELEVATION LIMITS SEE PROFILE SHEETS
- 7. * THE CONTRACTOR SHALL PLACE ABC (SPECIAL) TO THIS LINE AFTER COMPLETION OF PAVING OPERATIONS
- 8. □ SEE ROADWAY PLANS FOR SPECIFIC WIDTHS AND LOCATION OF TAPERS
- 9. # DEPTH OF SCARIFICATION AND MOISTURE DENSITY CONTROL AT BASES OF CUTS AND FILLS SHALL BE 12 INCHES. SEE SPECIFICATIONS.
- 10. △ SAFETY EDGE DETAIL

FINAL REFERENCE DESIGN PLANS
 JUNE 10, 2019

Print Date: 5/2/2019
 File Name: 22420DES_Typicals_02.dgn
 Horiz. Scale: 1:10 Vert. Scale: As Noted

wood. MULLER ENGINEERING COMPANY

Sheet Revisions		
Date:	Comments	Init.

Colorado Department of Transportation

CDOT
 Region 5

3803 North Main Avenue
 Durango, CO 81301
 Phone: 970-385-1440 FAX: 970-385-8365

DRV

As Constructed
No Revisions:
Revised:
Void:

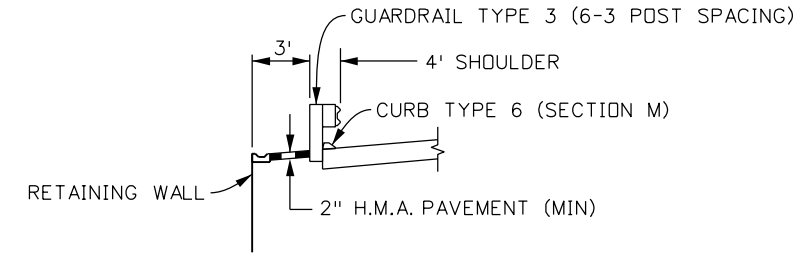
TYPICAL SECTIONS CR 219 AND CR 220			
Designer:	JW/NZ	Structure Numbers	
Detailer:	MS	Subset Sheets:	6 of 7
Sheet Subset:	TYPICALS		

Project No./Code
NHPP 5501-029
22420
Sheet Number 7

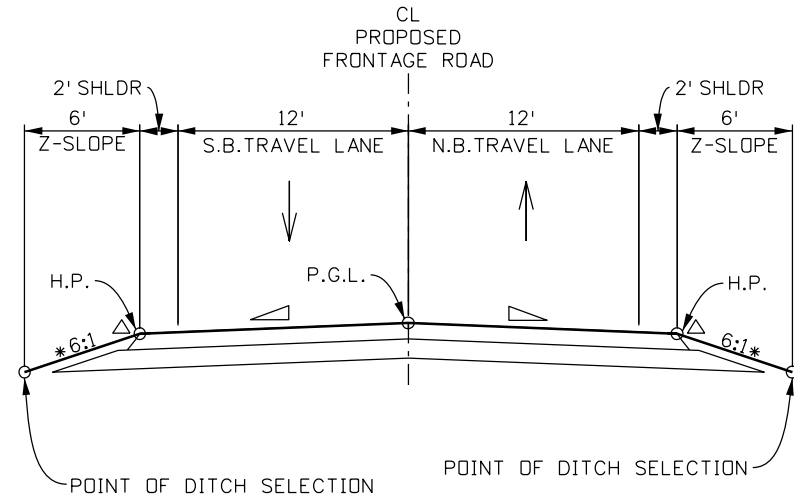
NZOLLER 3:48:35 PM pwr:\pwhruscen01\HDR_US_Centrol_01\Documents\5704\100000255\10110222\6_0_CAD_BIM\6.2_WIP_Design\Drawings\Sheets\22420DES_Typicals_02.dgn

TYPICAL SECTION NOTES

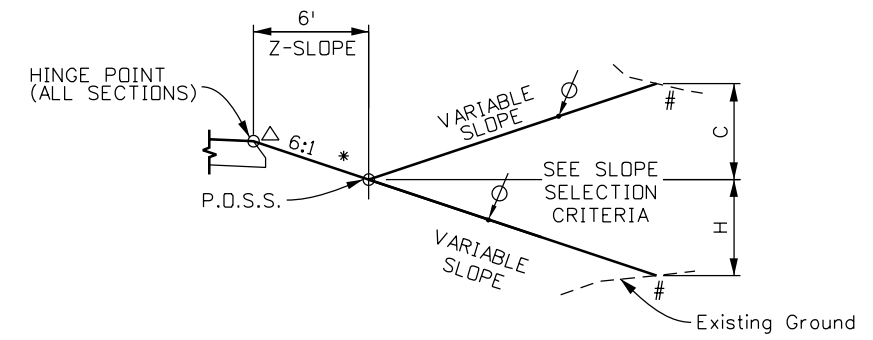
- 1. ○ P.G.L. -PROFILE GRADE LINE
- 2. ○ P.D.S.S. -POINT OF SLOPE SELECTION
- 3. H.P. -HINGE POINT
- 4. ∅ THE CONTRACTOR WILL BE REQUIRED TO PLACE 4 INCHES OF TOPSOIL TO THIS LINE AFTER COMPLETION OF PAVING OPERATION.
- 5. ▲ BREAKPOINTS IN SLOPES AND IN BOTTOMS OF DITCHES SHALL BE ROUNDED DURING CONSTRUCTION FOR A PLEASING APPEARANCE.
- 6. ▽ ROADWAY CROSS SLOPE. FOR SPECIFIC CROSS SLOPES AND SUPERELEVATION LIMITS SEE PROFILE SHEETS.
- 7. * THE CONTRACTOR SHALL PLACE ABC (SPECIAL) TO THIS LINE AFTER COMPLETION OF PAVING OPERATIONS.
- 8. □ SEE ROADWAY PLANS FOR SPECIFIC WIDTHS AND LOCATION OF TAPERS.
- 9. # DEPTH OF SCARIFICATION AND MOISTURE - DENSITY CONTROL AT BASES OF CUTS AND FILLS SHALL BE 12 INCHES. SEE SPECIFICATIONS.
- 10. △ SAFETY EDGE DETAIL.



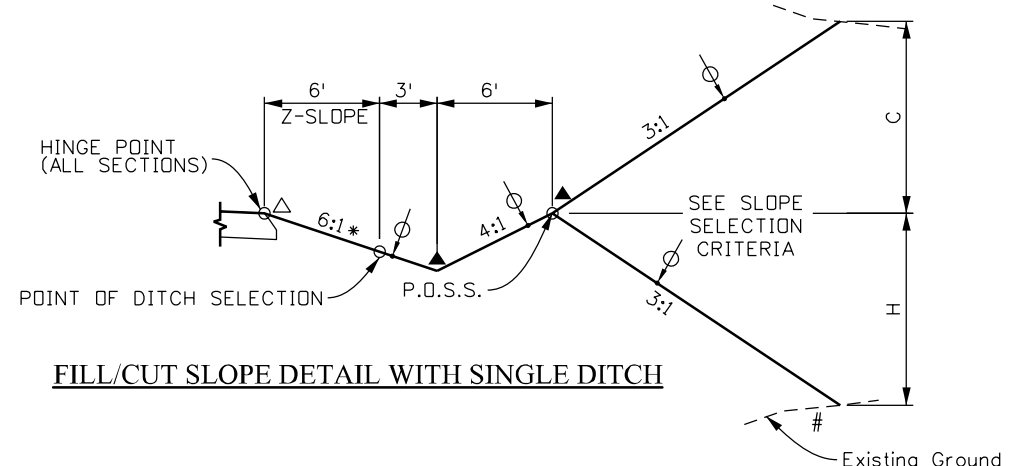
FILL WALL
PER CDOT STD B-504-E (OR SIMILAR)



FRONTAGE ROAD



FILL/CUT SLOPE DETAIL



FILL/CUT SLOPE DETAIL WITH SINGLE DITCH

SLOPE SELECTION
(TYPICAL FOR FRONTAGE ROAD)

CUT SLOPE

C = 0 - 2'
2' - 14.5'
14.5' <

Z-SLOPE THEN, 6:1
Z-SLOPE THEN, 4:1
Z-SLOPE THEN, 3:1

HEIGHT OF FILL

H = 0 - 2'
2' <

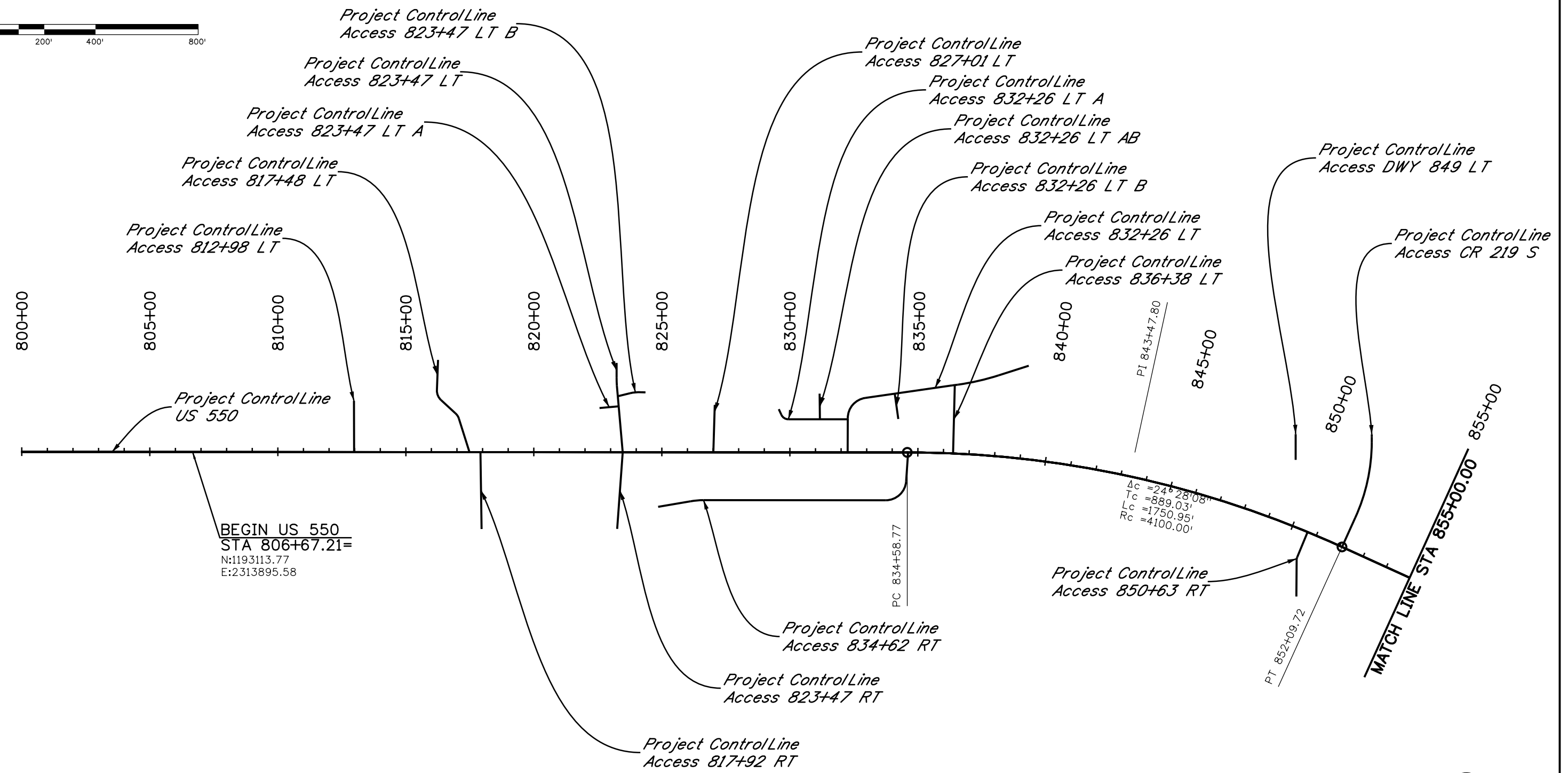
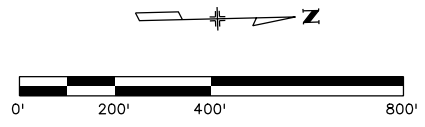
SLOPE

Z-SLOPE THEN, 6:1
Z-SLOPE THEN, 3:1

FINAL REFERENCE DESIGN PLANS
JUNE 10, 2019

C:\junlun 6:38:05 PM P:\2018 Projects\18-018.01 US 550 S Connection D-B - CDOT R-5\22420\Design\Drawings\22420DES_Typicals.dgn

Print Date: 2/27/2019	Sheet Revisions			Colorado Department of Transportation 3803 North Main Avenue Durango, CO 81301 Phone: 970-385-1440 FAX: 970-385-8365 Region 5	As Constructed No Revisions: Revised: Void:	TYPICAL SECTIONS FRONTAGE ROAD			Project No./Code
File Name: 22420DES_Typicals.dgn	Date:	Comments	Init.						NHPP 5501-029
Horiz. Scale: 1:10 Vert. Scale: As Noted				CDOT Region 5	DRV	Designer: SDB	Structure Numbers	22420	Sheet Number 8
wood. MULLER ENGINEERING COMPANY						Detailer: REW	Sheet Subset: TYPICALS		



FINAL REFERENCE DESIGN PLANS
JUNE 10, 2019



MSCHWAB 8:08:15 AM pwr:\pwhruscen01:HDR_US_Central_01\Documents\5704\10000255\10110222\6_0_CAD_BIM\6.2_WIP\Design\Drawings\Sheets\22420DES_Geo01.dgn

Print Date: 2/26/2019
File Name: 22420DES_Geo01.dgn
Horiz. Scale: 1:400 Vert. Scale: As Noted
HDR 1670 BROADWAY, SUITE 3400 DENVER, COLORADO 80202 Phone: 303-764-1520 FAX: 303-860-7139

Sheet Revisions		
Date:	Comments	Init.

Colorado Department of Transportation

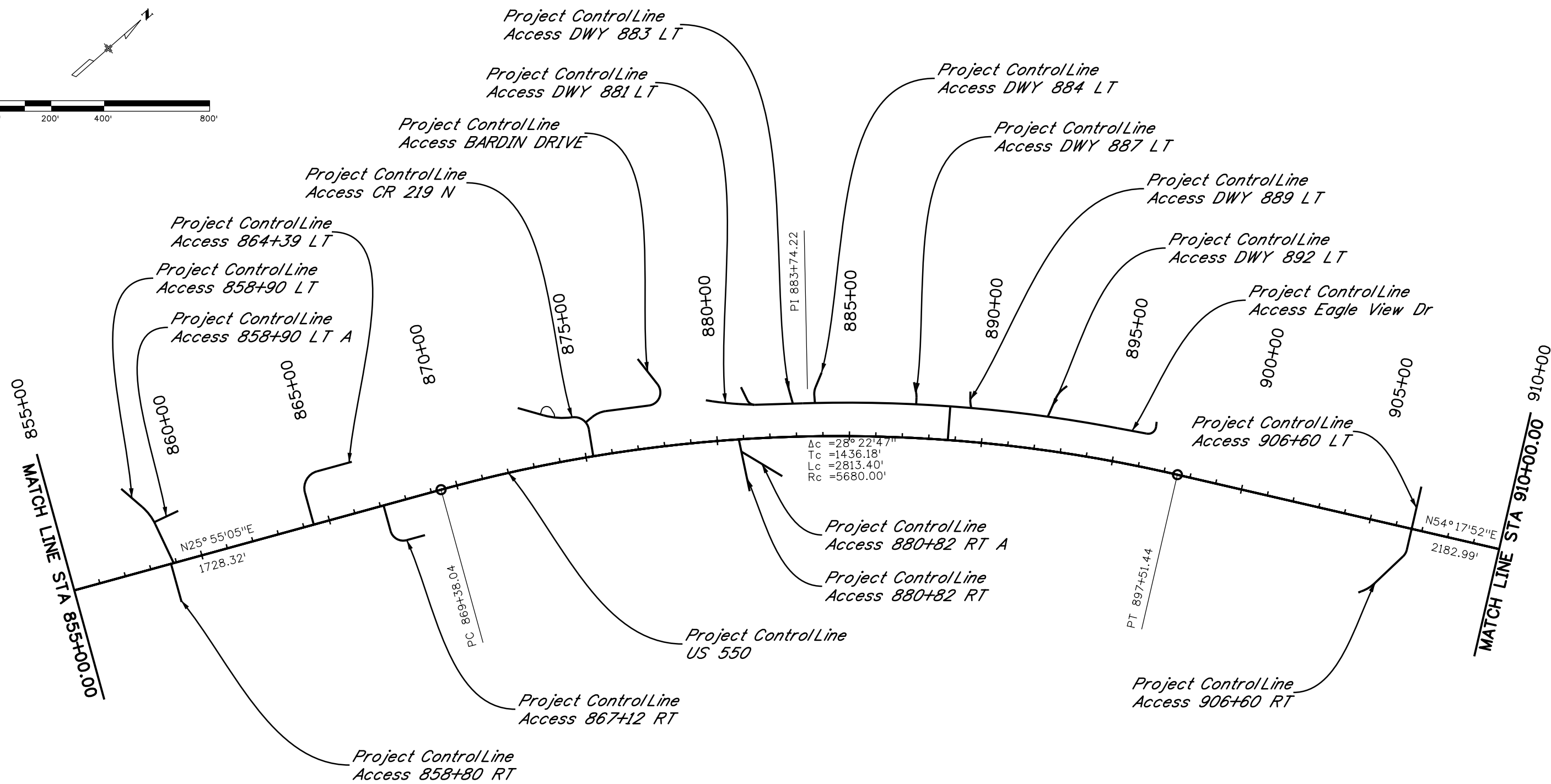
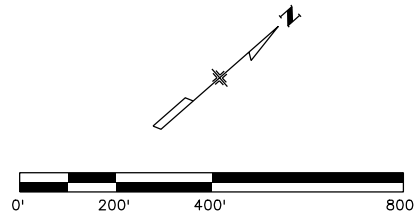
3803 North Main Avenue
Durango, CO 81301
Phone: 970-385-1440 FAX: 970-385-8635

Region 5 DRV

As Constructed
No Revisions:
Revised:
Void:

US 550 GEOMETRY PLAN			
Designer:	NZ	Structure	
Detailer:	MS	Numbers	
Sheet Subset:	GEO	Subset Sheets:	1 of 7

Project No./Code
NHPP 5501-029
22420
Sheet Number 9



MSCHWAB 8:08:18 AM pwr:\pwhruscen01:HDR_US_Central_01\Documents\5704\10000255\10110222\6_0_CAD_BIM\6.2_WIP\Design\Drawings\Sheets\22420DES_Geo02.dgn

FINAL REFERENCE DESIGN PLANS
JUNE 10, 2019



Print Date: 2/26/2019	
File Name: 22420DES_Geo02.dgn	
Horiz. Scale: 1:400	Vert. Scale: As Noted
1670 BROADWAY, SUITE 3400 DENVER, COLORADO 80202 Phone: 303-764-1520 FAX: 303-860-7139	

Sheet Revisions		
Date:	Comments	Init.

Colorado Department of Transportation

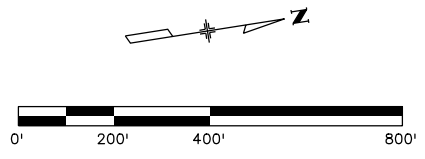
3803 North Main Avenue
Durango, CO 81301
Phone: 970-385-1440 FAX: 970-385-8635

Region 5 DRV

As Constructed	
No Revisions:	
Revised:	
Void:	

US 550 GEOMETRY PLAN			
Designer:	NZ	Structure	
Detailer:	MS	Numbers	
Sheet Subset:	GE0	Subset Sheets:	2 of 7

Project No./Code
NHPP 5501-029
22420
Sheet Number 10



MATCH LINE STA 910+00.00 910+00

915+00

PC 919+34.43
920+00

925+00

930+00

935+00

940+00

PT 940+79.90

945+00

MATCH LINE STA 946+00.00

Project Control Line
Access 924+64 RT

$\Delta c = 58^\circ 48' 59''$
Tc = 1178.05'
Lc = 2145.47'
Rc = 2090.00'

PI 931+12.48

Project Control Line
US 550


Project Control Line
Access 935+33 RT

FINAL REFERENCE DESIGN PLANS
JUNE 10, 2019



Know what's below
Call before you dig.

MSCHWAB 8:08:22 AM p:\pwhdruscen01\HDR_US_Central_01\Documents\5704\10000255\101010222\6.0_CAD_BIM\6.2_WFP_Design\Drawings\Sheets\22420DES_Geo03.dgn

Print Date: 2/26/2019
File Name: 22420DES_Geo03.dgn
Horiz. Scale: 1:400 Vert. Scale: As Noted
 1670 BROADWAY, SUITE 3400 DENVER, COLORADO 80202 Phone: 303-764-1520 FAX: 303-860-7139

Sheet Revisions		
Date:	Comments	Init.

Colorado Department of Transportation



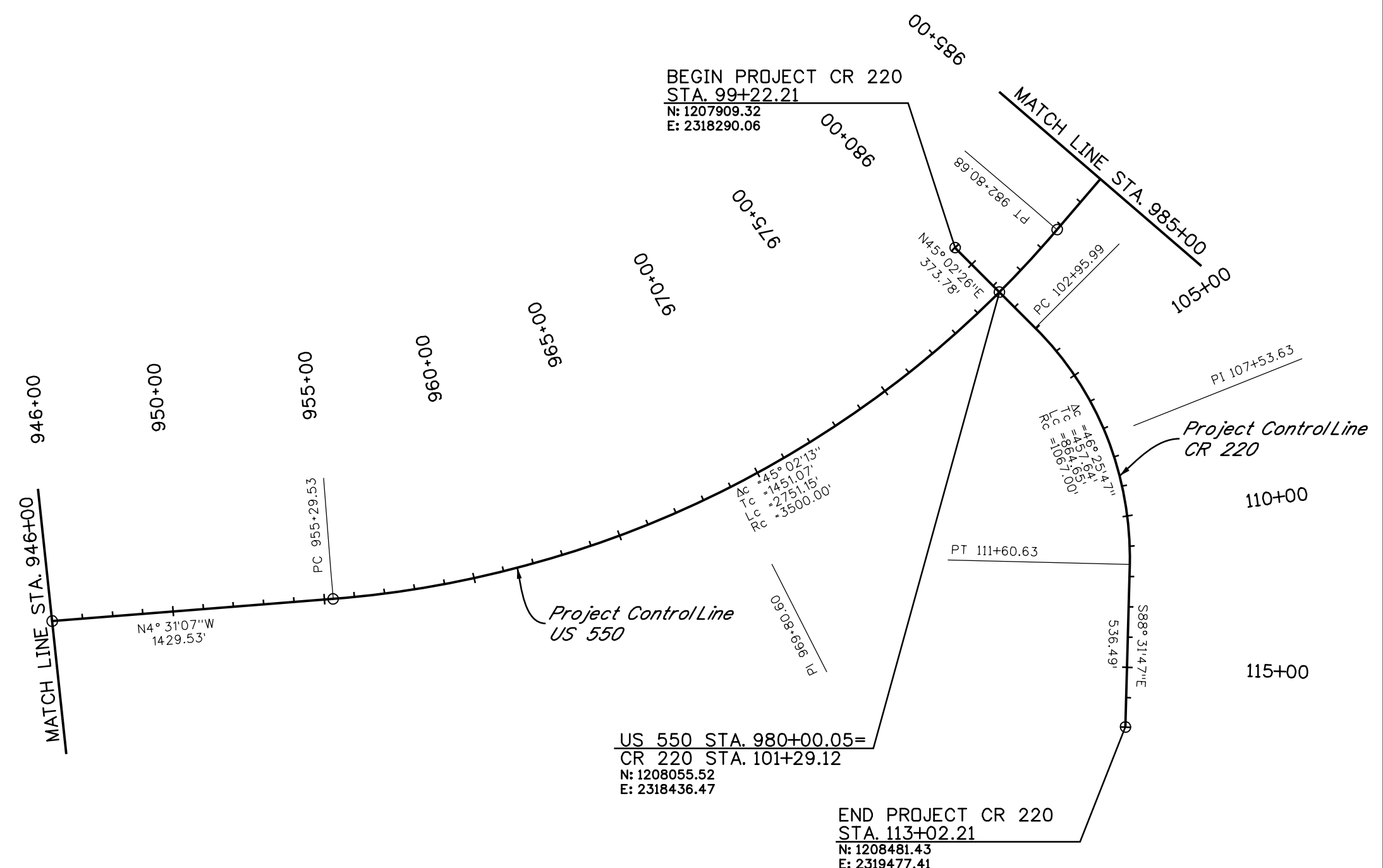
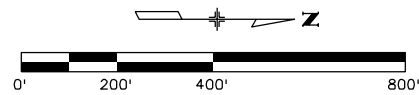
3803 North Main Avenue
Durango, CO 81301
Phone: 970-385-1440 FAX: 970-385-8635

Region 5 DRV

As Constructed
No Revisions:
Revised:
Void:

US 550 GEOMETRY PLAN			
Designer:	NZ	Structure	
Detailer:	MS	Numbers	
Sheet Subset:	GEO	Subset Sheets:	3 of 7

Project No./Code
NHPP 5501-029
22420
Sheet Number 11



FINAL REFERENCE DESIGN PLANS
JUNE 10, 2019



C:\jturner\6.3.8\07 PM 1\2018 Projects\18-018.01 US 550 S Connection D-B - CDDT - R-5\22420\Design\Drawings\22420DES_Geo04.dgn
2/27/2019 CDDT-DePaulPrinter_V8.plt CDDT-PerTable.tbl

Print Date: 2/27/2019	
Drawing File Name: 22420DES_Geo04.dgn	
Horiz. Scale: 1:400	Vert. Scale: As Noted
Unit Information	Unit Leader Initials

Sheet Revisions		
Date:	Comments	Init.

Colorado Department of Transportation

Region 5

3803 North Main Avenue
Durango, CO 81301
Phone: 970-385-1440 FAX: 970-385-8365

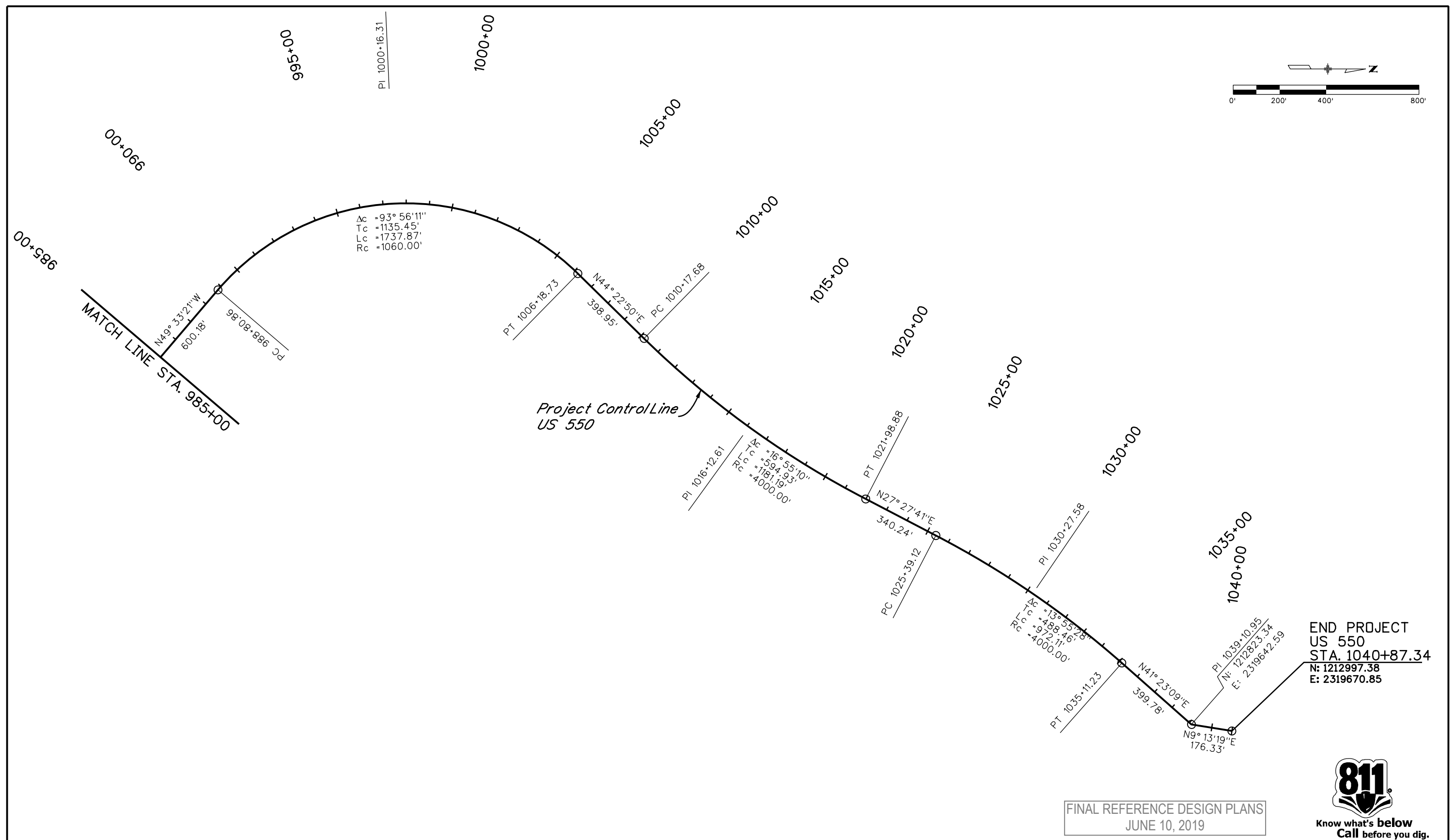
DRV

As Constructed
No Revisions:
Revised:
Void:

US 550 GEOMETRY PLAN			
Designer:	SDB	Structure	
Detailer:	LMR	Numbers	
Sheet Subset:	GED	Subset Sheets:	4 of 7

Project No./Code
NHPP 5501-029
22420
Sheet Number 12

C:\jrunen_6\3808.PM\2018\Projects\18-018.01.US.550.S.Connection.D-B - CDDT R-5\22420\Design\Drawings\22420DES_Geo05.dgn
 2/27/2019 CDDT-DePaulPrinter_V8.plt.ctb CDDT-PerTable.tbl



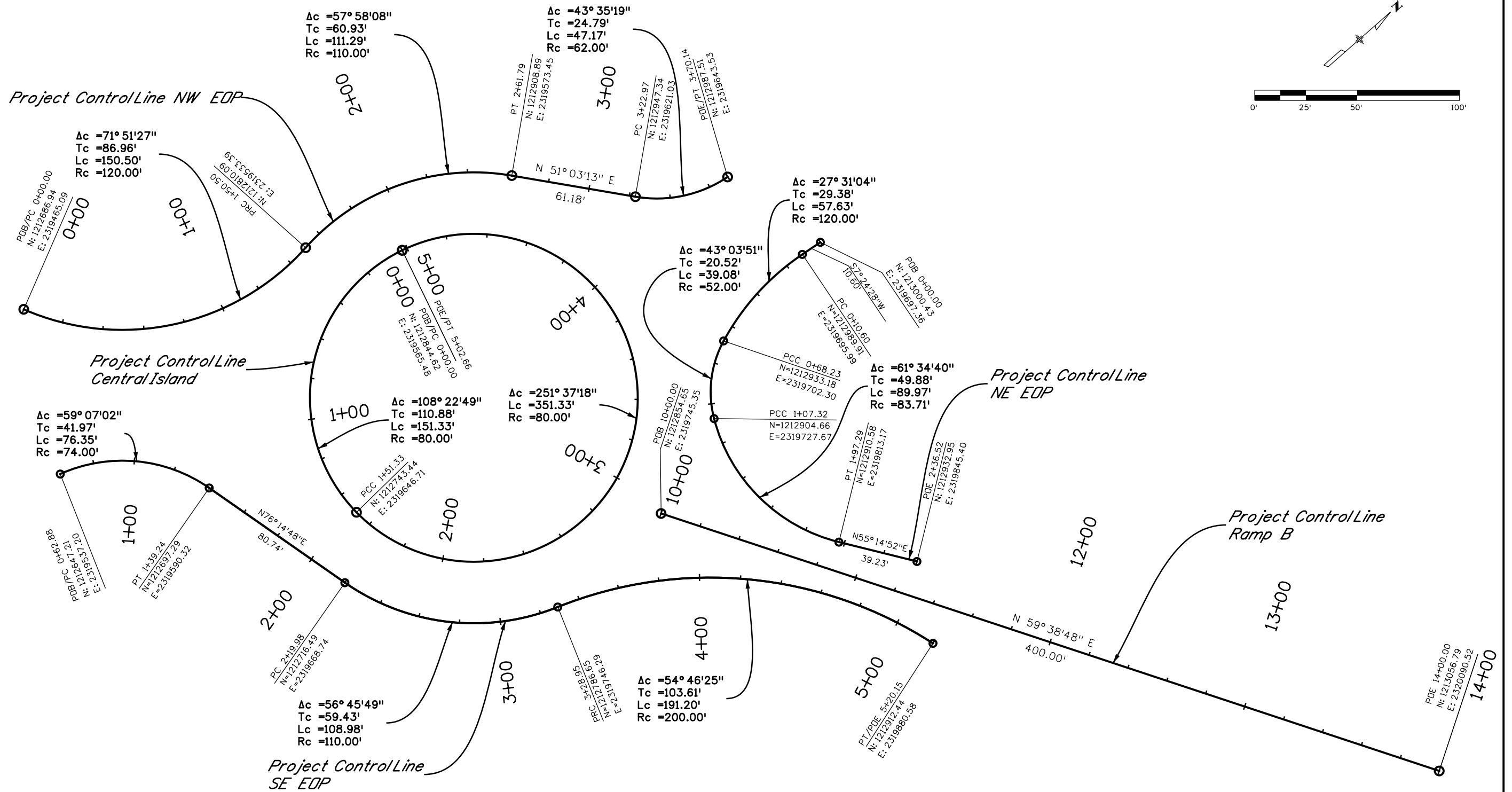
END PROJECT
US 550
STA. 1040+87.34
 N: 1212997.38
 E: 2319670.85

FINAL REFERENCE DESIGN PLANS
 JUNE 10, 2019



Print Date: 2/27/2019 Drawing File Name: 22420DES_Geo05.dgn Horiz. Scale: 1:400 Vert. Scale: As Noted Unit Information Unit Leader Initials		Sheet Revisions <table border="1"> <thead> <tr> <th>Date:</th> <th>Comments</th> <th>Init.</th> </tr> </thead> <tbody> <tr><td> </td><td> </td><td> </td></tr> <tr><td> </td><td> </td><td> </td></tr> <tr><td> </td><td> </td><td> </td></tr> </tbody> </table>			Date:	Comments	Init.										Colorado Department of Transportation  3803 North Main Avenue Durango, CO 81301 Phone: 970-385-1440 FAX: 970-385-8365 Region 5 DRV		As Constructed No Revisions: Revised: Void:		US 550 GEOMETRY PLAN Designer: SDB Structure Numbers: Detailer: LMR Sheet Subset: GEO Subset Sheets: 5 of 7			Project No./Code NHPP 5501-029 22420 Sheet Number 13	
Date:	Comments	Init.																							
						Know what's below Call before you dig.																			


david.schmies 2:24:25 PM \\denver\fs1\5007-projects\Project\Transportation\CDDT\RS\2013\CDDT\RS US 550 SEIS Alternatives\9.0 CADD\FIR\9.2 Design\Drawings\22420DES_Geo06.dgn
2/27/2019 CDDT-PDF\Drawings\Quality_V8\picfig CDDT-Pentable.tbl



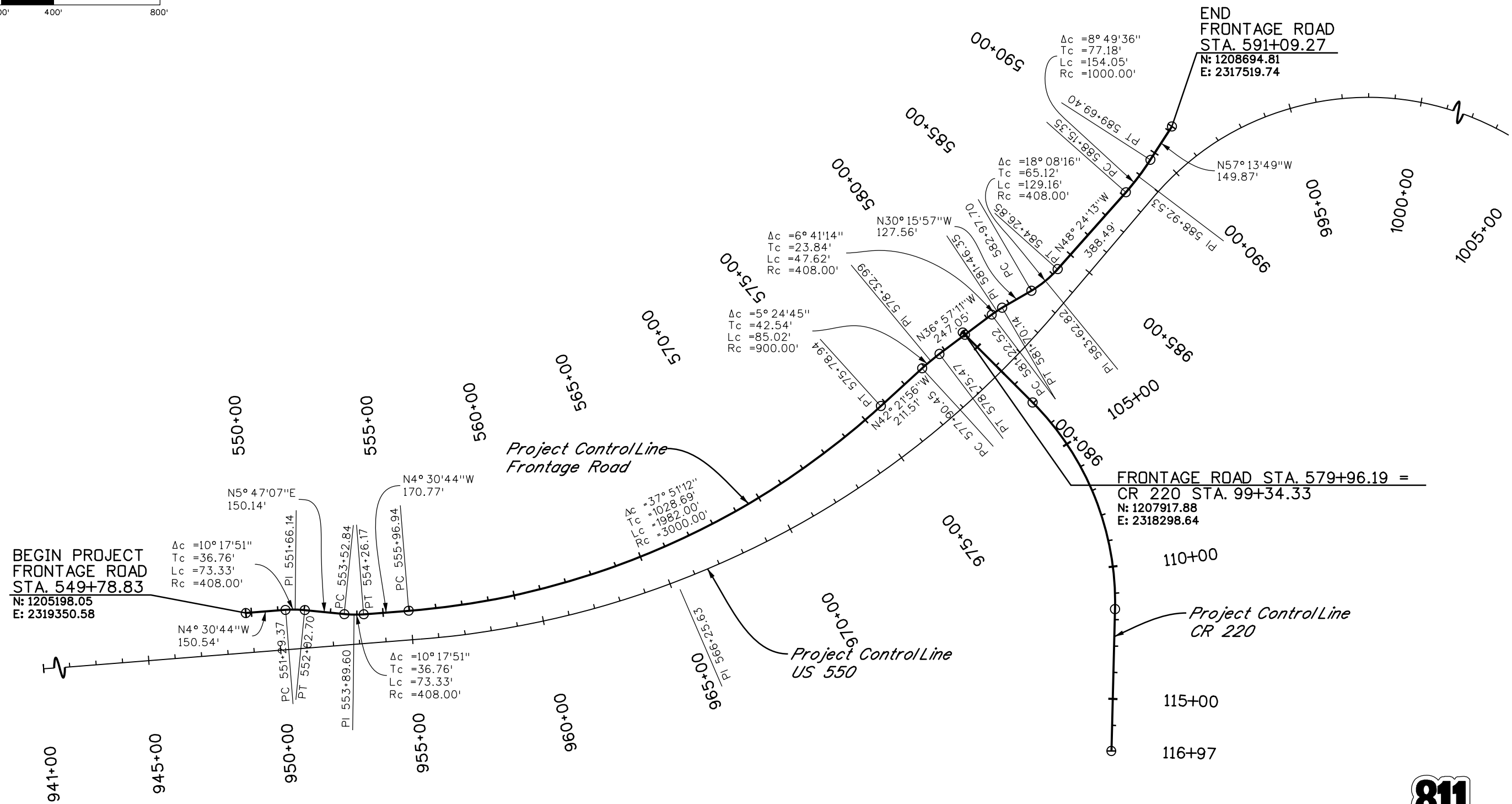
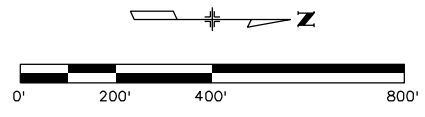
FINAL REFERENCE DESIGN PLANS
JUNE 10, 2019



Know what's below
Call before you dig.

Print Date: 2/27/2019		<table border="1"> <thead> <tr> <th colspan="3">Sheet Revisions</th> </tr> <tr> <th>Date:</th> <th>Comments</th> <th>Init.</th> </tr> </thead> <tbody> <tr><td> </td><td> </td><td> </td></tr> <tr><td> </td><td> </td><td> </td></tr> <tr><td> </td><td> </td><td> </td></tr> <tr><td> </td><td> </td><td> </td></tr> </tbody> </table>			Sheet Revisions			Date:	Comments	Init.													Colorado Department of Transportation  3803 North Main Avenue Durango, CO 81301 Phone: 970-385-1440 FAX: 970-385-8365 Region 5		As Constructed No Revisions:		US 550 ROUNDABOUT GEOMETRY PLAN		Project No./Code NHPP 5501-029	
Sheet Revisions																														
Date:	Comments	Init.																												
Drawing File Name: 22420DES_Geo06.dgn Horiz. Scale: 1:50 Vert. Scale: As Noted Unit Information Unit Leader Initials		Revised: Void:		Designer: JJW Structure Detailer: JJW Numbers Sheet Subset: GEO Subset Sheets: 6 of 7		22420 Sheet Number 14																								

wood. Colorado Center Tower 2
2000 S. Colorado Blvd Suite 2-1000
Denver, CO 80222



FINAL REFERENCE DESIGN PLANS
JUNE 10, 2019



C:\jturner\6.38\09_PM_P\2018_01\Projects\18-018.01 US 550 S Connection D-B - CDDT R-5\22420\Design\Drawings\22420DES_Geo07.dgn
2/27/2019 CDDT-DePaulPrinter_V8.plt;cig CDDT-PerTable.tbl

Print Date: 2/27/2019	
Drawing File Name: 22420DES_Geo07.dgn	
Horiz. Scale: 1:400	Vert. Scale: As Noted
Unit Information	Unit Leader Initials

Sheet Revisions		
Date:	Comments	Init.

Colorado Department of Transportation

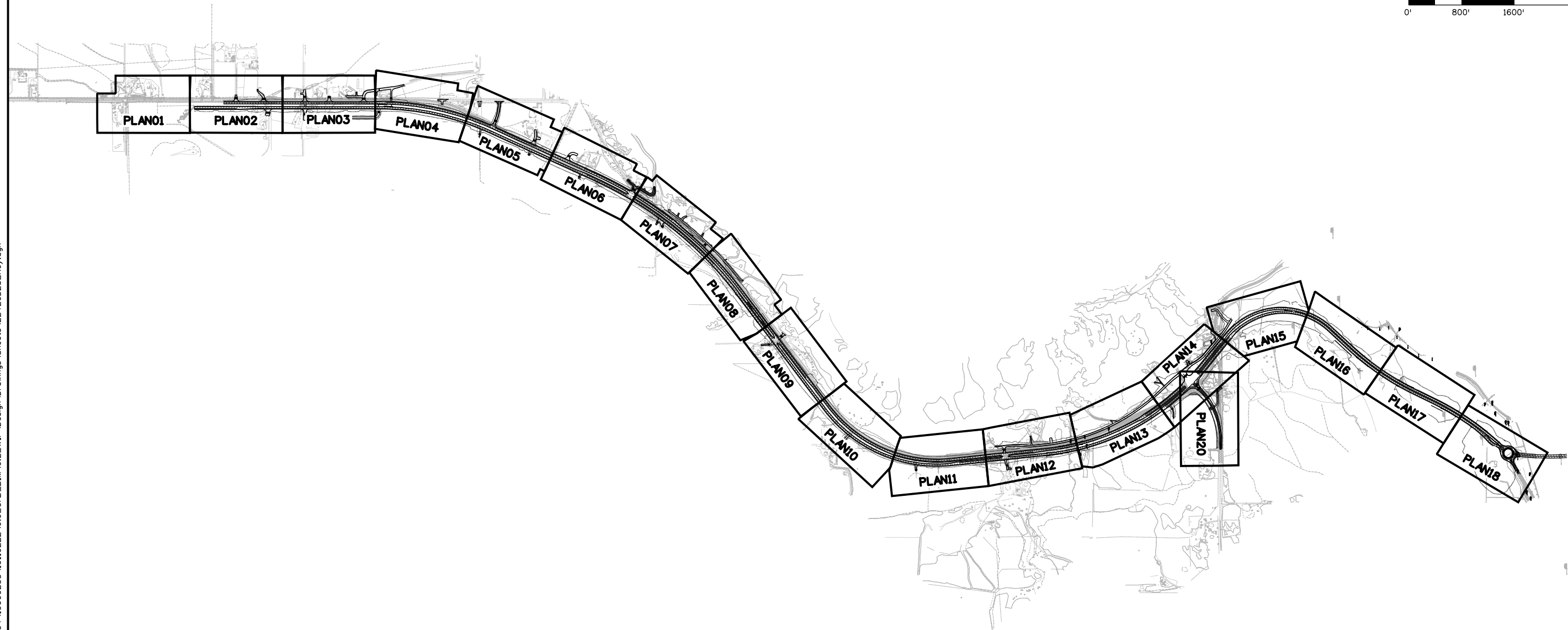
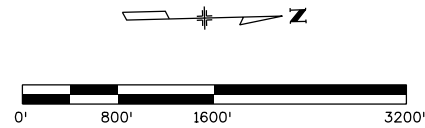
3803 North Main Avenue
Durango, CO 81301
Phone: 970-385-1440 FAX: 970-385-8365

Region 5 DRV

As Constructed
No Revisions:
Revised:
Void:

FRONTAGE ROAD GEOMETRY PLAN			
Designer:	SDB	Structure	
Detailer:	LMR	Numbers	
Sheet Subset:	GED	Subset Sheets:	7 of 7

Project No./Code
NHPP 5501-029
22420
Sheet Number 15



PROJECT KEYMAP


FINAL REFERENCE DESIGN PLANS
JUNE 10, 2019

MSCHWAB 8:34:37 AM pw:\pwhdruscen01\HDR_US_Central_01\Documents\5704\10000255\10110222\6.0_CAD_BIM\6.2_WIP_Design\Drawings\Sheets\22420DES_Key.dgn

Print Date: 2/26/2019
File Name: 22420DES_Key.dgn
Horiz. Scale: 1:1600 Vert. Scale: As Noted
wood. MULLER HR ENGINEERING COMPANY

Sheet Revisions		
Date:	Comments	Init.

Colorado Department of Transportation



3803 North Main Avenue
Durango, CO 81301
Phone: 970-385-1440 FAX: 970-385-8365



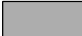

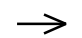

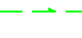


Region 5 DRV

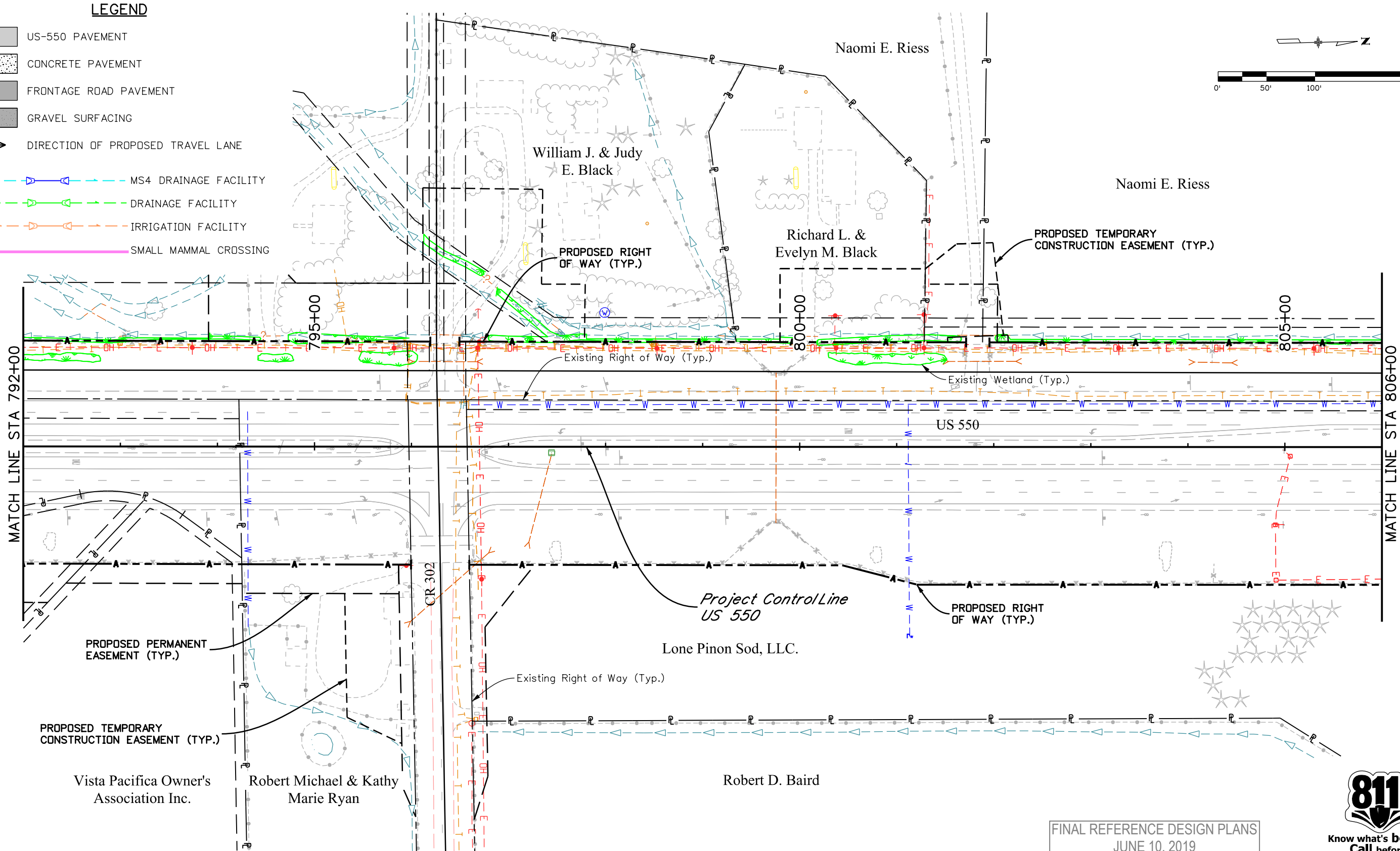
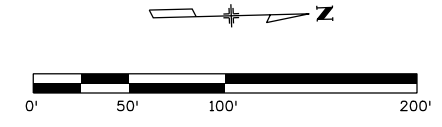
As Constructed
No Revisions:
Revised:
Void:

KEYMAP			
Designer:	KF/JW/NZ	Structure Numbers	
Detailer:	MS	Subset Sheets:	1 of 1
Sheet Subset:	KEY		

Project No./Code
NHPP 5501-029
22420
Sheet Number 16

LEGEND


-  US-550 PAVEMENT
-  CONCRETE PAVEMENT
-  FRONTAGE ROAD PAVEMENT
-  GRAVEL SURFACING
-  DIRECTION OF PROPOSED TRAVEL LANE
-  MS4 DRAINAGE FACILITY
-  DRAINAGE FACILITY
-  IRRIGATION FACILITY
-  SMALL MAMMAL CROSSING



FINAL REFERENCE DESIGN PLANS
JUNE 10, 2019



NZOLLER 4:00:17 PM pwr:\pwhruscen01\HDR_US_Central_01\Documents\5704\10000255\10110222\6.0_CAD_BIM\6.2_WIP_Design\Drawings\Sheets\22420DES_Plan01.dgn

Print Date: 5/1/2019
File Name: 22420DES_Plan01.dgn
Horiz. Scale: 1:100 Vert. Scale: As Noted
 1670 BROADWAY, SUITE 3400 DENVER, COLORADO 80202 Phone: 303-764-1520 FAX: 303-860-7139

Sheet Revisions		
Date:	Comments	Init.

Colorado Department of Transportation



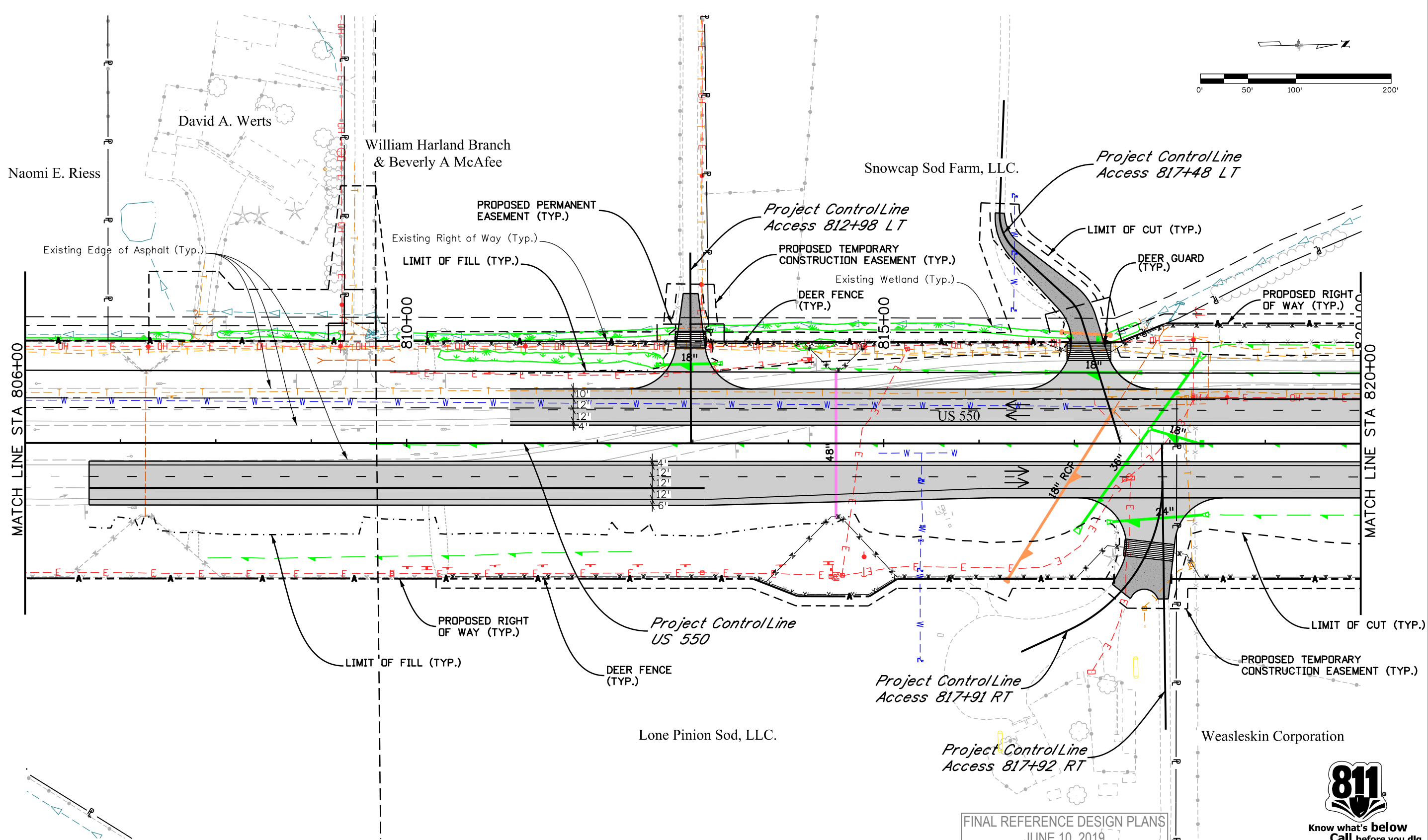
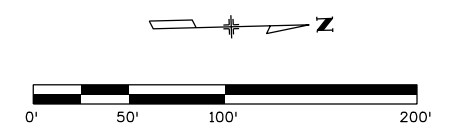
3803 North Main Avenue
Durango, CO 81301
Phone: 970-385-1440 FAX: 970-385-8635

Region 5 DRV

As Constructed
No Revisions:
Revised:
Void:

US 550 ROADWAY PLAN STA 792+00 TO 806+00			
Designer:	NZ	Structure	
Detailer:	MS	Numbers	
Sheet Subset:	550 PLAN	Subset Sheets:	1 of 24

Project No./Code
NHPP 5501-029
22420
Sheet Number 17



FINAL REFERENCE DESIGN PLANS
JUNE 10, 2019



NZLLER 4:00:20 PM pwr:\pwr\drcen01\HDR_US_Central_01_Documents\5704\10000255\10110222\6.0_CAD_BIM\6.2_WIP_Design\Drawings\Sheets\22420DES_Plan02.dgn

Print Date: 5/1/2019	
File Name: 22420DES_Plan02.dgn	
Horiz. Scale: 1:100	Vert. Scale: As Noted
1670 BROADWAY, SUITE 3400 DENVER, COLORADO 80202 Phone: 303-764-1520 FAX: 303-860-7139	

Sheet Revisions		
Date:	Comments	Init.

Colorado Department of Transportation

Region 5

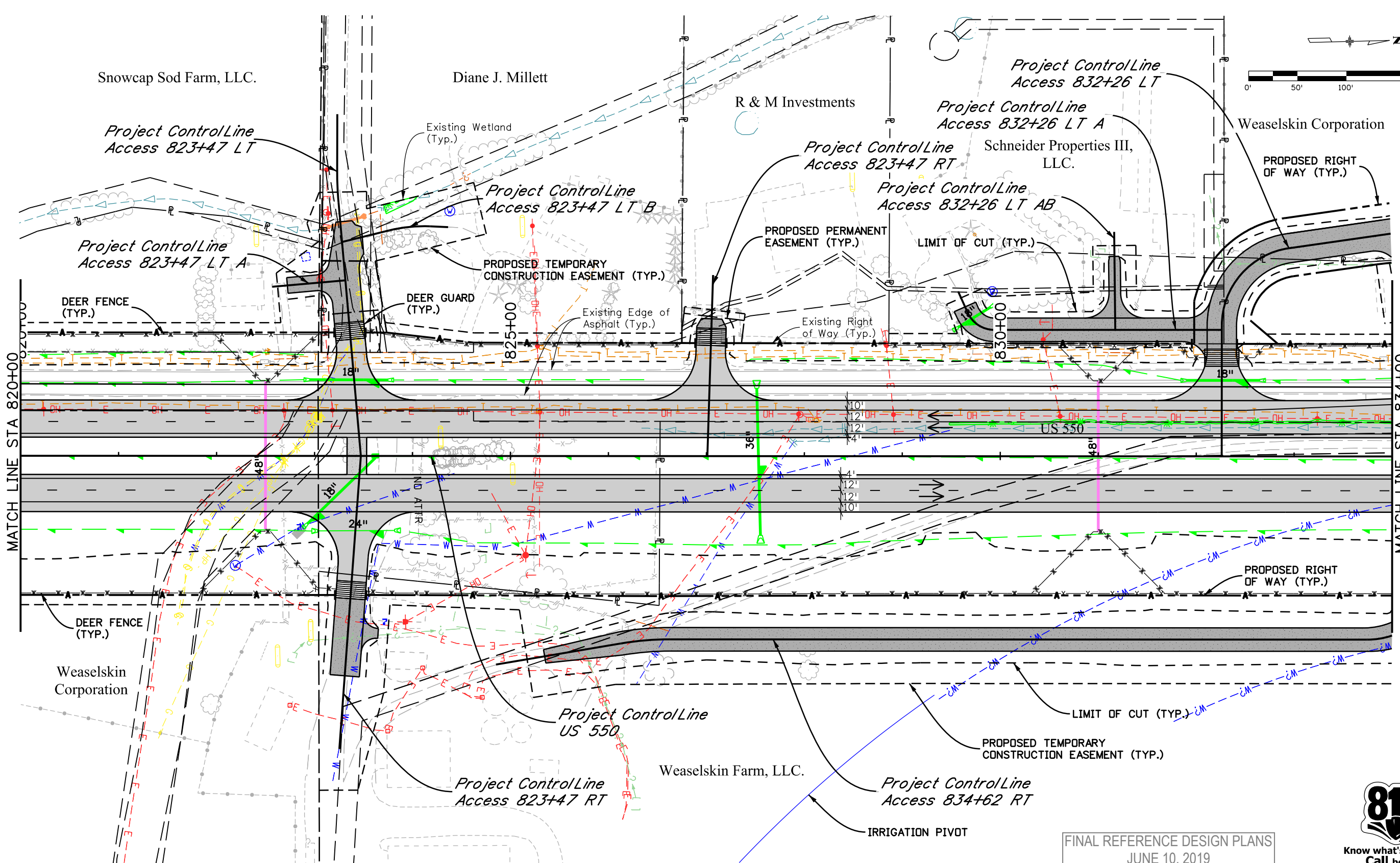
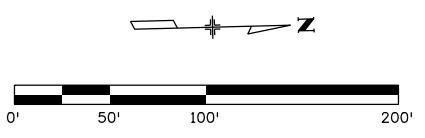
3803 North Main Avenue
Durango, CO 81301
Phone: 970-385-1440 FAX: 970-385-8635

DRV

As Constructed
No Revisions:
Revised:
Void:

US 550 ROADWAY PLAN STA 806+00 TO 820+00			
Designer:	NZ	Structure	
Detailer:	MS	Numbers	
Sheet Subset:	550 PLAN	Subset Sheets:	2 of 24

Project No./Code
NHPP 5501-029
22420
Sheet Number 18



FINAL REFERENCE DESIGN PLANS
JUNE 10, 2019



NZLLER 4:00:24 PM pwr:\pwhdruscen01:hDR_US_Central_01\Documents\5704\10000255\10110222\6_0_CAD_BIM\6.2_WIP\Design\Drawings\Sheets\22420DES_Plan03.dgn

Print Date: 5/1/2019
File Name: 22420DES_Plan03.dgn
Horiz. Scale: 1:100 Vert. Scale: As Noted

Sheet Revisions		
Date:	Comments	Init.

Colorado Department of Transportation



3803 North Main Avenue
Durango, CO 81301
Phone: 970-385-1440 FAX: 970-385-8635

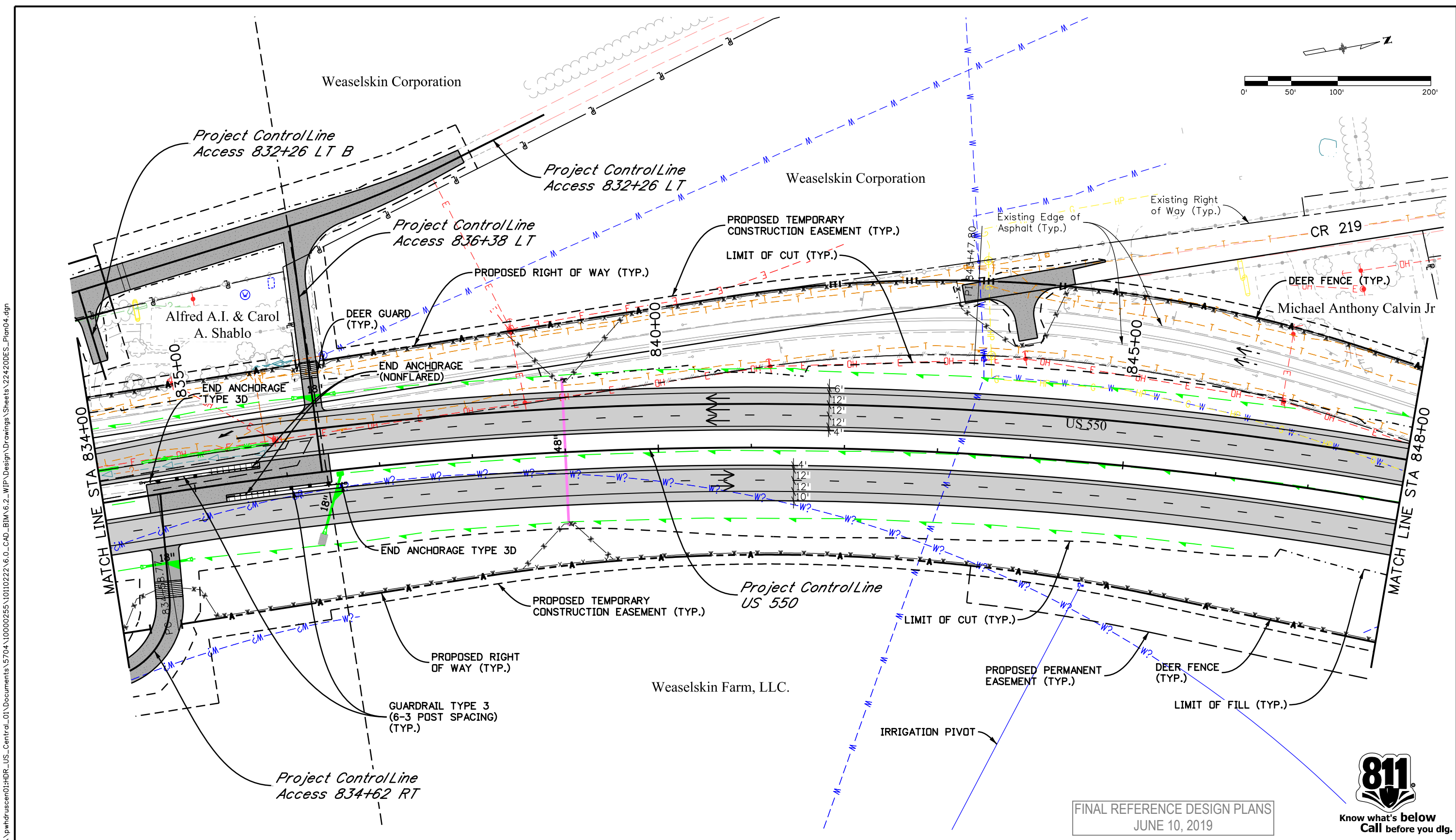
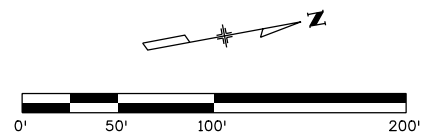
Region 5 DRV

As Constructed
No Revisions:
Revised:
Void:

US 550 ROADWAY PLAN
STA 820+00 TO 834+00

Designer: NZ Structure Numbers
Detailer: MS
Sheet Subset: 550 PLAN Subset Sheets: 3 of 24

Project No./Code
NHPP 5501-029
22420
Sheet Number 19



FINAL REFERENCE DESIGN PLANS
JUNE 10, 2019



Print Date: 5/1/2019
File Name: 22420DES_Plan04.dgn
Horiz. Scale: 1:100 Vert. Scale: As Noted

Sheet Revisions		
Date:	Comments	Init.

Colorado Department of Transportation

 3803 North Main Avenue
 Durango, CO 81301
 Phone: 970-385-1440 FAX: 970-385-8635
 Region 5 DRV

As Constructed
 No Revisions:
 Revised:
 Void:

US 550 ROADWAY PLAN
 STA 834+00 TO 848+00

Designer:	NZ	Structure	
Detailer:	MS	Numbers	
Sheet Subset:	550 PLAN	Subset Sheets:	4 of 24

Project No./Code
 NHPP 5501-029
 22420
 Sheet Number 20

NZOLLER 4:00:26 PM pwr:\pwr\druseen01\HDR_US_Central_01\Documents\5704\10000255\10110222\6.0_CAD_BIM\6.2_WIP_Design\Drawings\Sheets\22420DES_Plan04.dgn